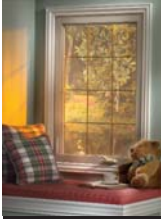


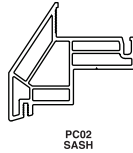
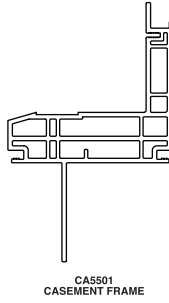
Protector Series Casement



NEW CONSTRUCTION WINDOWS

SERIES 500 IMPACT Casement Window

SHOWCASE®
CUSTOM VINYL WINDOWS AND DOORS
A Product of Enight Industries, L.L.C.



FEATURES & BENEFITS

- Impact rated grade DP-60.
- Full 1-1/2" integral nail fin.
- Passes ASTM E1886/E1996 Large Missile Impact Tests.
- Energy efficient Warm Edge Insulated Glass.
- Laminated glass with PVB interlayer to maintain seal in high-impact situations.
- Maintenance free multi-chamber PVC construction with fully welded corners.
- Pre-punched integral nailing fin with welded corners for simple and accurate installation.
- Sash opens 90 degrees for ventilation and easy cleaning.
- Split-arm gear operator.
- Corrosion-resistant coastal hardware.
- Glass options: EnviroShield Plus or EnviroShield Max.
- Argon gas optional.
- Available with SDL (1-1/8" or 7/8") or GIA.
- White or Beige.
- Meets Egress with 28" x 46.5" or 35.5" x 35.5" and larger sizes.

MFG. LIMITATIONS

	Width	Height
Minimum	17.5"	17.5"
Maximum	3' 0"	6'0"

* Minimum width and heights are determined by process machinery capabilities.

BASELINE PERFORMANCE

Thermal Insulation

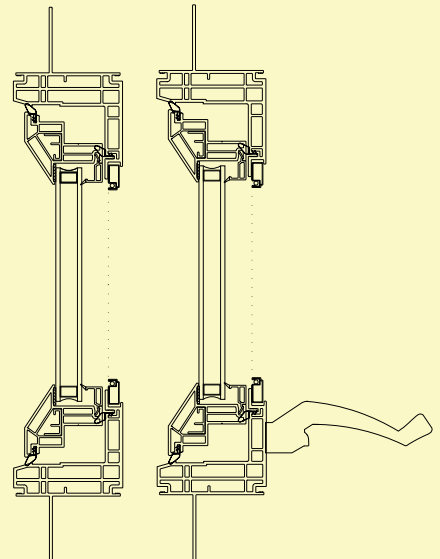
GLASS	U-Factor	CR-Value	SHGC	VT
EnviroShield Plus	.34	52	.28	.46
EnviroShield Max	.33	52	.19	.41

Structural Performance

Air Infiltration@ 25MPH	<.01 cfm/ft ²
Water Penetration	7.5 psf
Uniform Loads	+/- 75.0 psf



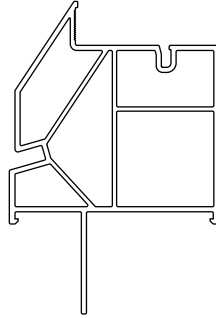
ASSEMBLIES



Protector Series Picture Window



NEW CONSTRUCTION WINDOWS



MASTER FRAME
PI8101

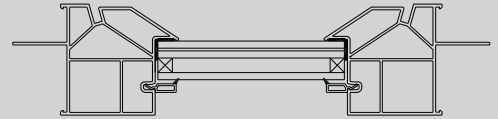


GLAZING BEAD
BV44

FEATURES & BENEFITS

- Impact rated grade DP-60.
- Full 1-1/2" integral nailfin.
- Passes ASTM E1886/E1996 Large Missile Impact Tests.
- Energy efficient Warm Edge Insulated Glass.
- Laminated glass with PVB interlayer to maintain seal in high-impact situations.
- Maintenance free multi-chamber PVC construction with fully welded corners.
- Pre-punched integral nailing fin with welded corners for simple and accurate installation.
- Split-arm gear operator.
- Corrosion-resistant coastal hardware.
- Glass options: EnviroShield Plus or EnviroShield Max.
- Argon gas optional.
- Available with SDL (1-1/8" or 7/8") or GIA.
- White or Beige.

ASSEMBLY



IMPACT RATED!

BASELINE PERFORMANCE

Thermal Insulation

GLASS	U-Factor	CR-Value	SHGC	VT
EnviroShield Plus	.34	53	.32	.54
EnviroShield Max	.34	53	.22	.49

Structural Performance

Air Infiltration@ 25MPH	<.01 cfm/ft ²
Water Penetration	7.5 psf
Uniform Loads	+/- 75.0 psf

MFG. LIMITATIONS

	Width	Height
Minimum	17.5"	17.5"
Maximum	72"	72"

* Minimum width and heights are determined by process machinery capabilities.

DISTRIBUTED BY



SHOWCASE®
CUSTOM VINYL WINDOWS AND DOORS

A Product of Enlight Industries, L.L.C.

4902 Gulf Freeway, Houston, Texas 77023

Phone: 713-926-8500

Fax: 713-926-8484

Website: www.showcasewindows.com

SERIES 500 IMPACT
Picture Window