

**10300085 ALUMINUM X MULLION
NON REINFORCED LMI WIND ZONE 3**

EARTHWISE GROUP, LLC.

MANUFACTURED BY SHOWCASE CUSTOM WINDOWS & DOORS



1702 CULLEN BLVD.,
HOUSTON, TX 77023

PH: 713-926-8500

NOTES:

- 1) THE PRODUCT SHOWN HEREIN IS DESIGNED AND MANUFACTURED TO COMPLY WITH REQUIREMENTS OF THE I.B.C & I.R.C WITH TEXAS REVISIONS.
- 2) WOOD FRAMING AND MASONRY OPENING TO BE DESIGNED AND ANCHORED TO PROPERLY TRANSFER ALL LOADS TO STRUCTURE. FRAMING AND MASONRY OPENING IS THE RESPONSIBILITY OF THE ARCHITECT OR ENGINEER OF RECORD.
- 3) ALLOWABLE STRESS INCREASE OF 1/3 WAS NOT USED IN THE DESIGN OF THE PRODUCT SHOWN HEREIN. WIND LOAD DURATION FACTOR Cd=1.6 WAS USED FOR WOOD ANCHOR CALCULATIONS.
- 4) APPROVED IMPACT PROTECTIVE SYSTEM IS NOT REQUIRED FOR THIS PRODUCT IN WIND BORNE DEBRIS REGIONS ZONE 3 OR LESS
- 5) DESIGN PRESSURE AND INSTALLATION DETAILS SHOWN IN THIS DOCUMENT APPLY ONLY TO THE MULLION. WINDOWS MUST BE APPROVED UNDER SEPARATE APPROVAL.
- 6) SINGLE UNITS TO BE MULLED ARE NOT LIMITED TO THOSE SHOWN IN THIS DRAWING.
- 7) DESIGN PRESSURE OF MULLED UNIT SHALL BE CONTROLLED BY THE LESSER DESIGN PRESSURE OF THE MULLION OR THE INDIVIDUAL WINDOW UNIT.
- 8) FOR USE WITH APPLICABLE EARTHWISE PRODUCTS.

Height (in)		Unit width (in)										
Window	Transom	18.0	21.0	24.0	27.0	30.0	36.0	39.0	42.0	45.0	48.0	53.0
24.0	36.0	70.0	70.0	70.0	70.0	70.0	70.0	69.0	64.2	60.0	56.3	51.0
30.0	36.0	70.0	70.0	70.0	70.0	70.0	60.6	55.9	52.0	48.5	45.5	41.2
36.0	36.0	70.0	70.0	70.0	65.0	59.1	50.1	46.7	43.4	40.6	38.0	34.4
42.0	36.0	70.0	64.4	56.8	51.0	46.3	39.2	36.5	34.2	32.1	30.3	27.7
48.0	36.0	59.7	51.6	45.5	40.8	37.0	31.4	29.2	27.4	25.7	24.3	22.2
54.0	36.0	48.5	42.0	37.0	33.2	30.1	25.6	23.8	22.3	21.0	19.8	18.1
60.0	36.0	40.1	34.6	30.6	27.4	24.9	21.1	19.7	18.4	17.3	16.4	15.0
63.0	36.0	36.5	31.6	27.9	25.0	22.7	19.3	18.0	16.8	15.8	15.0	13.7
66.0	36.0	33.4	28.9	25.5	22.9	20.8	17.7	16.5	15.4	14.5	13.7	12.6
72.0	36.0	28.2	24.4	21.5	19.3	17.6	14.9	13.9	13.0	12.3	11.6	10.6
78.0	36.0	24.0	20.8	18.3	16.5	15.0	12.7	11.8	11.1	10.5	9.9	9.1
84.0	36.0	20.6	17.8	15.7	14.1	12.8	10.9	10.2	9.5	9.0	8.5	7.8

DESIGN PRESSURE TABLE INSTRUCTIONS:

- 1) DEFINE REQUIRED DESIGN LOAD PER INTERNATIONAL BUILDING CODE OR INTERNATIONAL RESIDENTIAL CODE.
- 2) DETERMINE TRIBUTARY WIDTH AND MULLION SPAN BASED ON PRODUCT TO BE INSTALLED. SEE FORMULA FOR TRIBUTARY WIDTH.
- 3) LOCATE MULLION SPAN (UNIT HEIGHT) AND TRIBUTARY WIDTH. AT THE INTERSECTION OF ROW AND COLUMN CONTAINING THE MULLION SPAN AND TRIBUTARY WIDTH RESPECTIVELY IS THE MULLION RATING FOR PRODUCT IN STEP 2. MULLION RATING MUST BE EQUAL OR GREATER THAN REQUIRED DESIGN PRESSURE OBTAINED IN STEP 1.

$$\text{TRIBUTARY WIDTH} = \frac{W1 + W2}{2}$$

TABLE OF CONTENTS	
SHEET NO.	DESCRIPTION
1	ELEVATIONS, NOTES AND DESIGN PRESSURE CHART
2, 3	INSTALLATION DETAILS AND BILL OF MATERIALS
4	COMPONENTS

TITLE: X-NON-REINFORCED MULLION ELEVATIONS, NOTES, & DP CHART

PREPARED BY: BUILDING DROPS
398 E. DANIA BEACH BLVD.,
DANIA BEACH, FL 33304
PH: (954) 399-8478 FX: (954) 744-4738

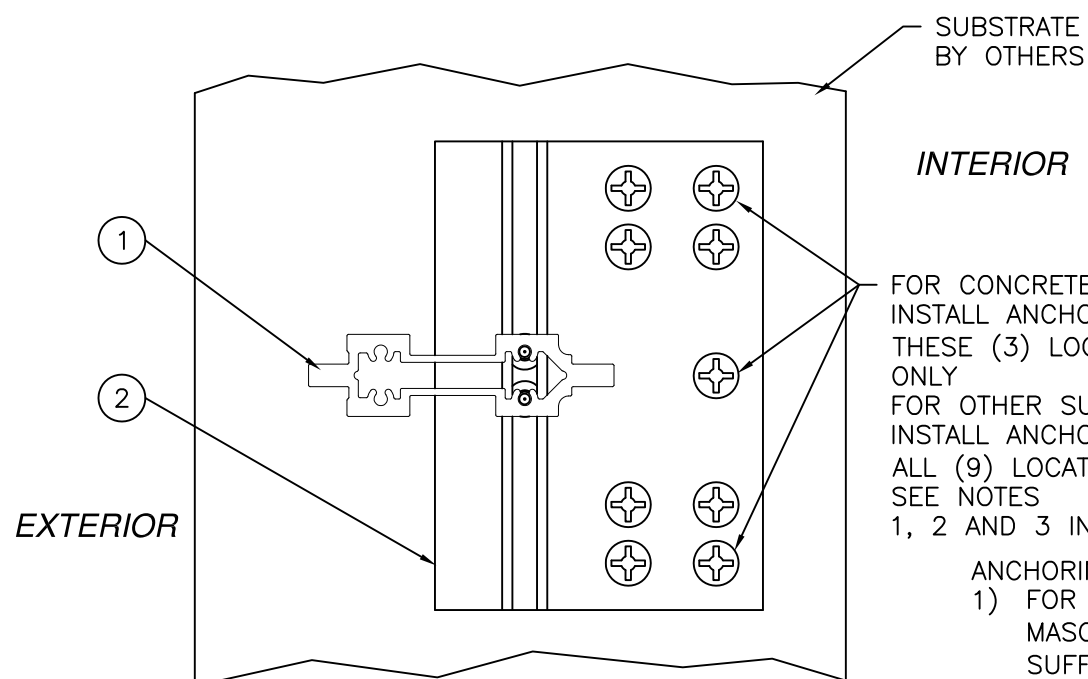
NO.	DESCRIPTION	BY	DATE
		A	LS
B	REV. ANCHOR & DP70	MS	05.06.16

HERMES F. NORERO, P.E.
TEXAS P.E. NO. 118471
398 E. DANIA BEACH BLVD., STE. 338
DANIA BEACH, FL 33304
TBPE FRM# 13734

DATE: 03.12.14
DWN BY: SSM
CHK BY: HFN
SCALE: NTS

DWG #: SCV005
SHEET: 1 OF 4

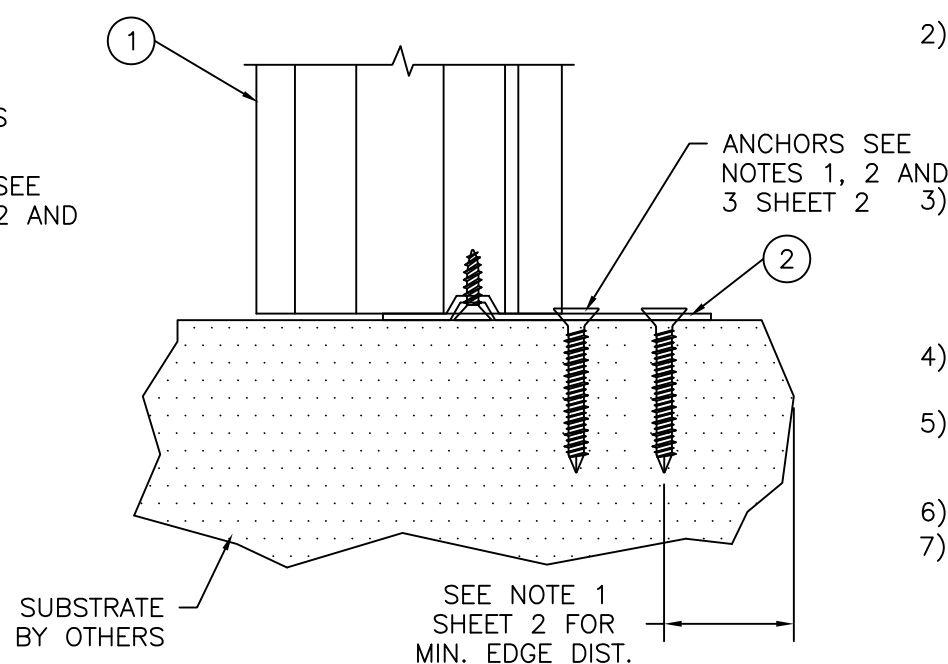
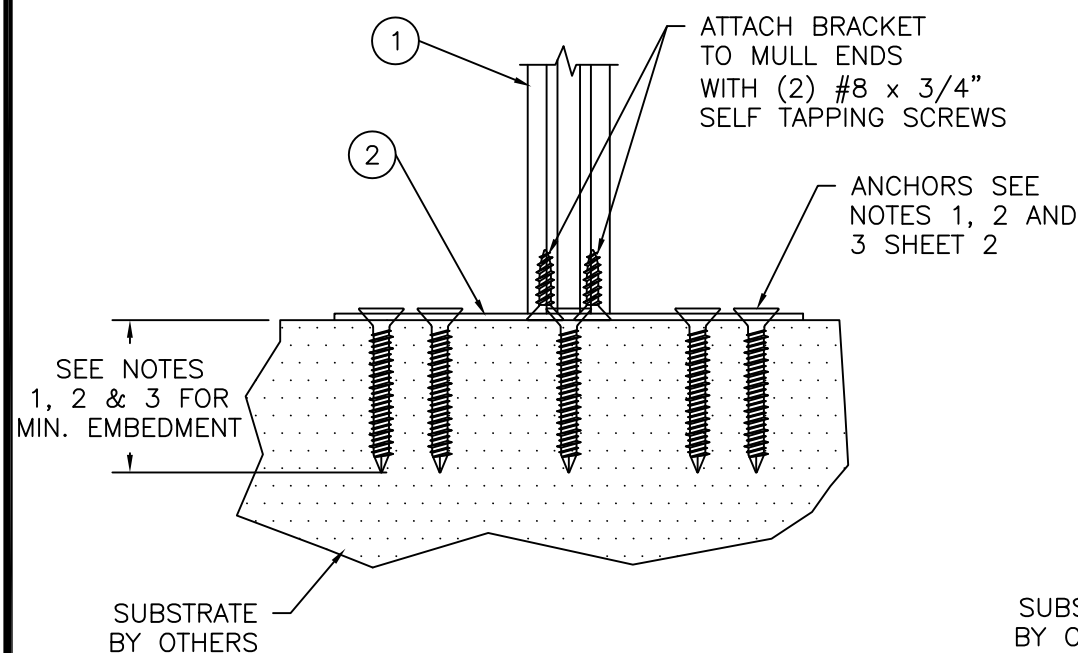
PARTS LIST				
NO.	PART NUMBER	DESCRIPTION	MANUFACTURER	MATERIAL
1	10300085	ALUMINUM VERTICAL MULLION	DECEUNINCK	ALUMINUM 6005-T5
2	10203000	15GA. STEEL MULLION BRACKET	DECEUNINCK	GALVANIZED STEEL
3	10300093	MULL CLIP	DECEUNINCK	ALUMINUM 6005-T5



FOR CONCRETE
INSTALL ANCHORS IN
THESE (3) LOCATIONS
ONLY
FOR OTHER SUBSTRATES:
INSTALL ANCHORS IN
ALL (9) LOCATIONS
SEE NOTES
1, 2 AND 3 IN SHEET 2

ANCHORING NOTES:

- 1) FOR ANCHORING MULLION BRACKET OR MULL CLIP INTO MASONRY/CONCRETE USE 3/16" ITW TAPCONS WITH SUFFICIENT LENGTH TO ACHIEVE A 1 3/4" MINIMUM EMBEDMENT INTO SUBSTRATE WITH 2 5/8" MINIMUM EDGE DISTANCE. LOCATE ANCHORS AS SHOWN IN ELEVATIONS AND INSTALLATION DETAILS.
- 2) FOR ANCHORING MULLION BRACKET OR MULL CLIP INTO WOOD FRAMING OR 2X BUCK USE #10 WOOD SCREW WITH SUFFICIENT LENGTH TO ACHIEVE A 1 3/8" MINIMUM EMBEDMENT INTO SUBSTRATE. LOCATE ANCHORS AS SHOWN IN ELEVATIONS AND INSTALLATION DETAILS.
- 3) FOR ANCHORING MULLION BRACKET OR MULL CLIP INTO METAL FRAMING USE #10 TEK SELF TAPPING SCREWS WITH SUFFICIENT LENGTH TO ACHIEVE A MINIMUM EMBEDMENT OF THREE THREADS PAST SUBSTRATE. LOCATE ANCHORS AS SHOWN IN ELEVATIONS AND INSTALLATION DETAILS.
- 4) FOR WINDOW UNIT ANCHORING TO VERTICAL MULLION SEE INDIVIDUAL WINDOW APPROVAL INSTALLATION INSTRUCTIONS.
- 5) FOR WINDOW UNIT ANCHORING SCHEDULE TO SUBSTRATE REFER TO INDIVIDUAL WINDOW APPROVAL INSTALLATION INSTRUCTIONS.
- 6) ALL FASTENERS TO BE CORROSION RESISTANT.
- 7) INSTALLATION ANCHORS SHALL BE INSTALLED IN ACCORDANCE WITH ANCHOR MANUFACTURER'S INSTALLATION INSTRUCTIONS, AND ANCHORS SHALL NOT BE USED IN SUBSTRATES WITH STRENGTHS LESS THAN THE MINIMUM STRENGTH SPECIFIED BELOW:
 - A. WOOD- MINIMUM SPECIFIC GRAVITY OF G=0.42
 - B. CONCRETE- MINIMUM COMPRESSIVE STRENGTH OF 2,000 PSI.
 - C. MASONRY- STRENGTH CONFORMANCE TO ASTM C-90, GRADE N, TYPE 1 (OR GREATER).
 - D. STEEL-MIN. 16 GA. TENSILE YIELD STRENGTH OF 33 KSI
 - E. ALUMINUM-MIN. 0.125" THICK, 6063-T5 (f'y=16000 PSI)



STEEL MULLION BRACKET 10203000
INSTALLATION DETAILS
SILL, HEAD AND JAMBS TYP.

TITLE: X-NON-REINFORCED MULLION INSTALLATION DETAILS & BILL OF MATERIALS

PREPARED BY:
BUILDING DROPS
398 E. DANIA BEACH BLVD.,
DANIA BEACH, FL 33304
PH: (954) 399-8478 FX: (954) 744-4738

REVISIONS

NO.	DESCRIPTION	BY	DATE
A	CHANGE OF P.E.	LS	12.10.15
B	REV. ANCHOR & DP70	MS	05.06.16

HERMES F. NORERO, P.E.
TEXAS P.E. NO. 118471
398 E. DANIA BEACH BLVD., STE. 338
DANIA BEACH, FL 33304
TBPE FRM# 13734

DATE: 03.12.14	DWN BY: SSM	CHK BY: HFN	SCALE: NTS
-------------------	----------------	----------------	---------------

DWG #:
SCV005
SHEET: **2 OF 4**

TITLE: X-NON-REINFORCED
MULLION
INSTALLATION DETAILS

PREPARED BY:
BUILDING DROPS
398 E. DANIA BEACH BLVD.,
DANIA BEACH, FL 33304
PH: (954) 399-8478 FX: (954) 744-4738

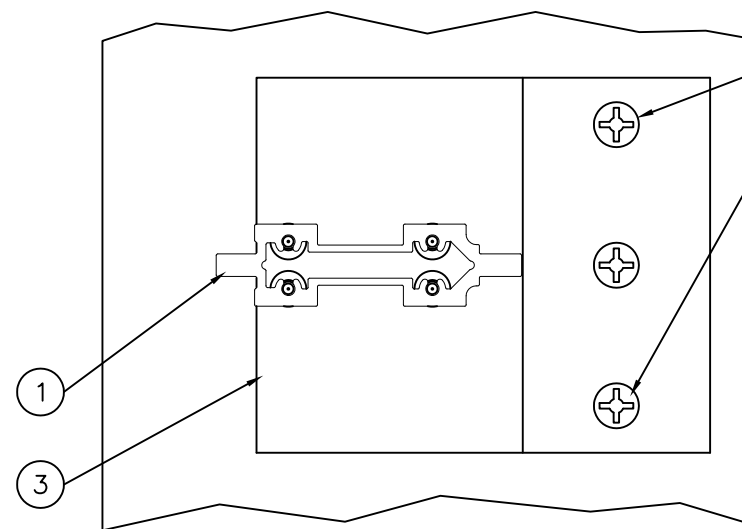
REVISIONS

NO.	DESCRIPTION	BY	DATE
A	CHANGE OF P.E.	LS	12.10.15
B	REV. ANCHOR & DP70	MS	05.06.16

HERMES F. NORERO, P.E.
TEXAS P.E. NO. 118471
398 E. DANIA BEACH BLVD., STE. 338
DANIA BEACH, FL 33304
TBPE FRM# 13734

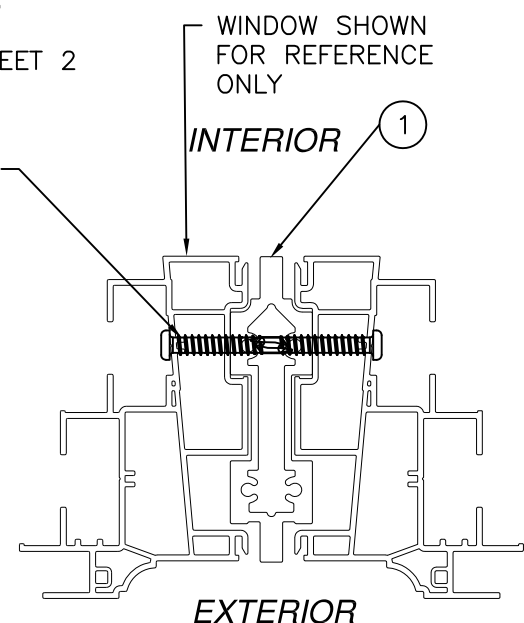
DATE: 03.12.14
DWN BY: SSM
CHK BY: HFN
SCALE: NTS

DWG #: **SCV005**
SHEET: **3 OF 4**

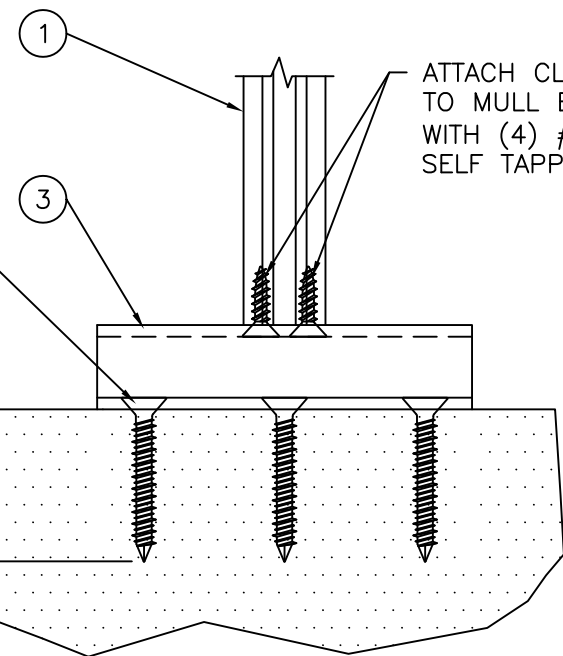


FOR CONCRETE:
INSTALL ANCHORS IN
THESE (2) LOCATIONS
ONLY
FOR OTHER SUBSTRATES:
INSTALL ANCHORS IN
ALL (3) LOCATIONS
SEE NOTES
1, 2 AND 3 IN SHEET 2

#8 PH SCREW
MIN. 3 THREADS
PENETRATION
4" FROM CORNERS
12" MAX. O.C.
AT EACH SIDE
1/2" OFFSET



WINDOW TO MULLION INSTALLATION DETAIL



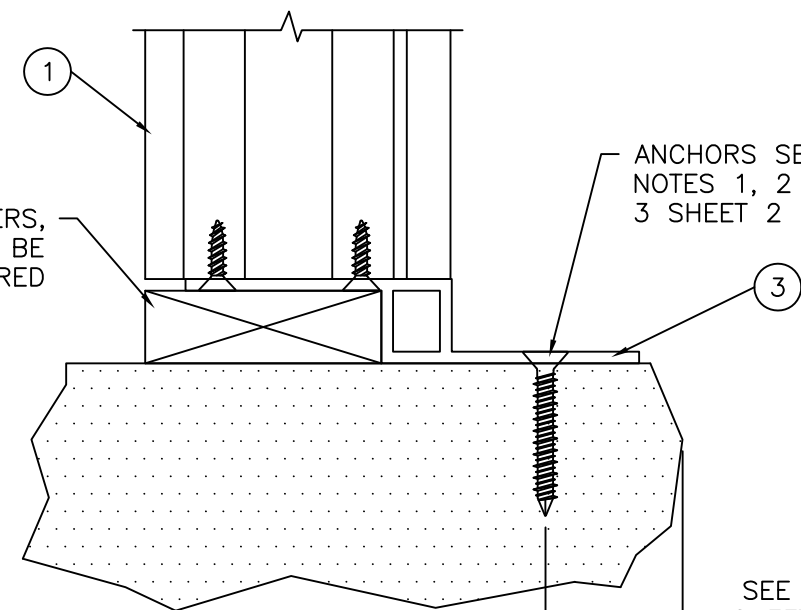
ATTACH CLIP
TO MULL ENDS
WITH (4) #8 x 3/4"
SELF TAPPING SCREWS

ANCHORS SEE
NOTES 1, 2 AND
3 SHEET 2

SEE NOTES 1,
2 & 3 SHEET 2
FOR MIN.
EMBEDMENT

SUBSTRATE
BY OTHERS

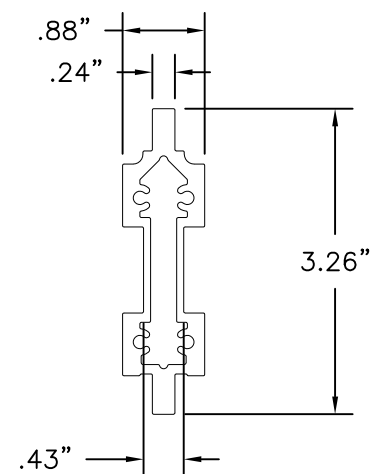
1X BUCK BY OTHERS,
1X BUCK TO BE
PROPERLY SECURED



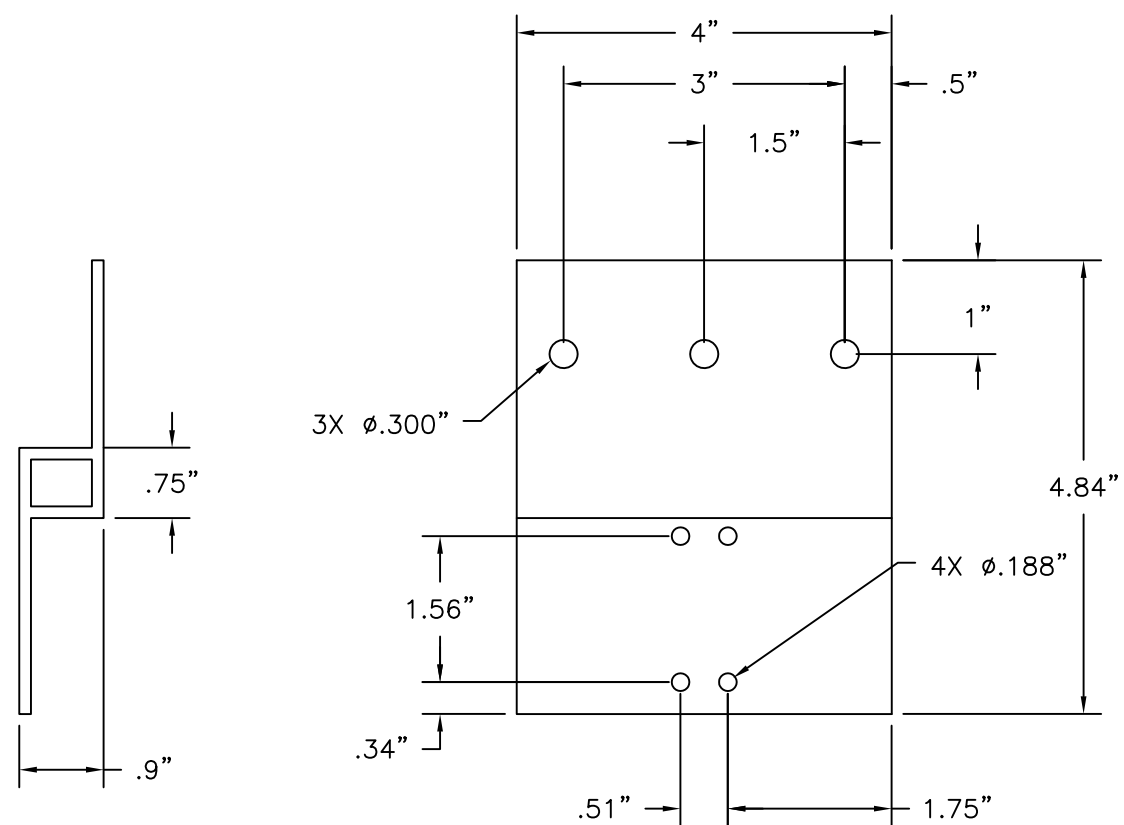
ANCHORS SEE
NOTES 1, 2 AND
3 SHEET 2

SEE NOTE 1
SHEET 2 FOR
MIN. EDGE DIST.

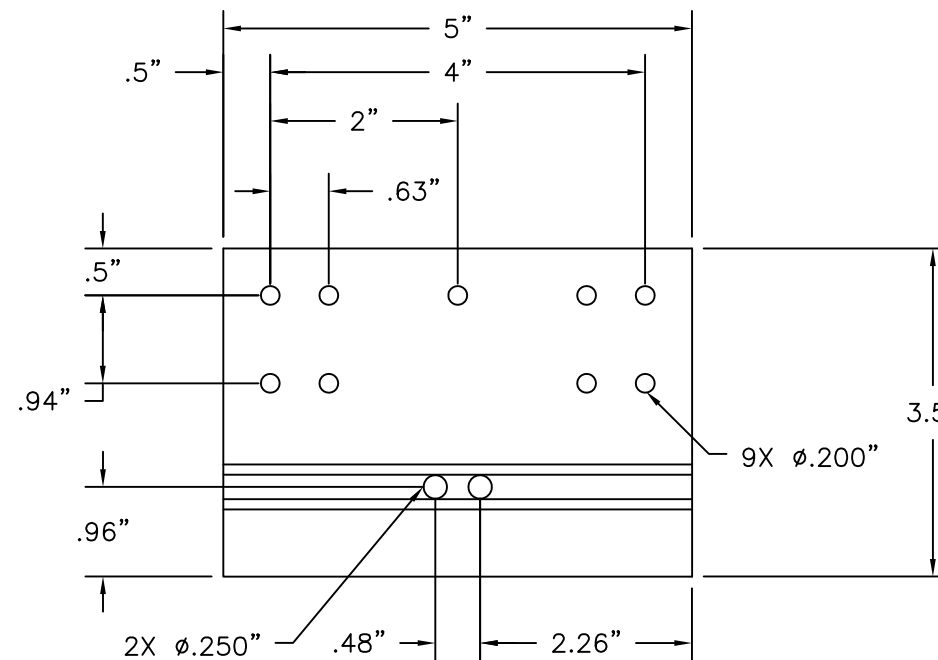
MULL CLIP 10300093
INSTALLATION DETAILS
SILL, HEAD AND JAMBS TYP.



① **10300085 ALUMINUM VERTICAL MULLION**
ALUMINUM 6005-T5 .075" THICK MINIMUM



③ **10300093 MULL CLIP**
ALUMINUM 6005-T5 .125" THICK



② **10203000 STEEL MULLION BRACKET**
15GA. GALVANIZED STEEL

TITLE: X-NON-REINFORCED
MULLION
COMPONENTS

PREPARED BY:
BUILDING DROPS
398 E. DANIA BEACH BLVD.,
DANIA BEACH, FL 33304
PH: (954) 399-8478 FX: (954) 744-4738

REVISIONS

NO.	DESCRIPTION	BY	DATE
A	CHANGE OF P.E.	LS	12.10.15
B	REV. ANCHOR & DP70	MS	05.06.16

HERMES F. NORERO, P.E.
TEXAS P.E. NO. 118471
398 E. DANIA BEACH BLVD., STE. 338
DANIA BEACH, FL 33304
TBPE FRM# 13734

DATE:	03.12.14
DWN BY:	SSM
CHK BY:	HFN
SCALE:	NTS

DWG #:
SCV005
SHEET: **4 OF 4**