

10300085 ALUMINUM VERTICAL MULLION NON REINFORCED
LMI WIND ZONE 3

EARTHWISE GROUP, LLC.

MANUFACTURED BY SHOWCASE

CUSTOM WINDOWS & DOORS

NOTES:

- 1) THE PRODUCT SHOWN HEREIN IS DESIGNED AND MANUFACTURED TO COMPLY WITH REQUIREMENTS OF THE I.B.C & I.R.C WITH TEXAS REVISIONS.
- 2) WOOD FRAMING AND MASONRY OPENING TO BE DESIGNED AND ANCHORED TO PROPERLY TRANSFER ALL LOADS TO STRUCTURE. FRAMING AND MASONRY OPENING IS THE RESPONSIBILITY OF THE ARCHITECT OR ENGINEER OF RECORD.
- 3) ALLOWABLE STRESS INCREASE OF 1/3 WAS NOT USED IN THE DESIGN OF THE PRODUCT SHOWN HEREIN. WIND LOAD DURATION FACTOR Cd=1.6 WAS USED FOR WOOD ANCHOR CALCULATIONS.
- 4) APPROVED IMPACT PROTECTIVE SYSTEM IS NOT REQUIRED FOR THIS PRODUCT IN WIND BORNE DEBRIS REGIONS ZONE 3 OR LESS
- 5) DESIGN PRESSURE AND INSTALLATION DETAILS SHOWN IN THIS DOCUMENT APPLY ONLY TO THE MULLION. WINDOWS MUST BE APPROVED UNDER SEPARATE APPROVAL.
- 6) SINGLE UNITS TO BE MULLED ARE NOT LIMITED TO THOSE SHOWN IN THIS DRAWING.
- 7) DESIGN PRESSURE OF MULLED UNIT SHALL BE CONTROLLED BY THE LESSER DESIGN PRESSURE OF THE MULLION OR THE INDIVIDUAL WINDOW UNIT.
- 8) FOR USE WITH APPLICABLE EARTHWISE PRODUCTS.

Height (in)	Unit Width (in)											
	18.0	21.0	24.0	27.0	30.0	33.0	36.0	39.0	42.0	45.0	48.0	53.0
24.0	70.0	70.0	70.0	70.0	70.0	70.0	70.0	70.0	70.0	70.0	70.0	70.0
30.0	70.0	70.0	70.0	70.0	70.0	70.0	70.0	70.0	70.0	70.0	70.0	70.0
36.0	70.0	70.0	70.0	70.0	70.0	70.0	70.0	70.0	70.0	70.0	70.0	70.0
42.0	70.0	70.0	70.0	70.0	70.0	70.0	70.0	70.0	70.0	70.0	70.0	70.0
48.0	70.0	70.0	70.0	70.0	70.0	70.0	70.0	70.0	70.0	70.0	70.0	70.0
54.0	70.0	70.0	70.0	70.0	70.0	70.0	70.0	70.0	70.0	70.0	70.0	70.0
60.0	70.0	70.0	70.0	70.0	70.0	70.0	70.0	70.0	69.3	67.2	65.7	63.9
63.0	70.0	70.0	70.0	70.0	70.0	70.0	70.0	66.9	64.3	62.3	60.6	58.7
66.0	70.0	70.0	70.0	70.0	70.0	69.5	65.7	62.5	59.5	57.0	54.9	52.2
72.0	70.0	70.0	70.0	63.7	58.1	53.6	50.0	47.0	44.5	42.5	40.8	38.6
78.0	70.0	62.6	55.3	49.7	45.2	41.6	38.7	36.3	34.3	32.6	31.2	29.3
84.0	57.9	50.0	44.0	39.5	35.9	33.0	30.6	28.6	27.0	25.6	24.4	22.8

DESIGN PRESSURE TABLE INSTRUCTIONS:

- 1) DEFINE REQUIRED DESIGN LOAD PER INTERNATIONAL BUILDING CODE OR INTERNATIONAL RESIDENTIAL CODE.
- 2) DETERMINE TRIBUTARY WIDTH AND MULLION SPAN BASED ON PRODUCT TO BE INSTALLED. SEE FORMULA FOR TRIBUTARY WIDTH.
- 3) LOCATE MULLION SPAN (UNIT HEIGHT) AND TRIBUTARY WIDTH. AT THE INTERSECTION OF ROW AND COLUMN CONTAINING THE MULLION SPAN AND TRIBUTARY WIDTH RESPECTIVELY IS THE MULLION RATING FOR PRODUCT IN STEP 2. MULLION RATING MUST BE EQUAL OR GREATER THAN REQUIRED DESIGN PRESSURE OBTAINED IN STEP 1.

$$\text{TRIBUTARY WIDTH} = \frac{W1 + W2}{2}$$

TABLE OF CONTENTS	
SHEET NO.	DESCRIPTION
1	ELEVATIONS, NOTES AND DESIGN PRESSURE CHART
2, 3	INSTALLATION DETAILS AND BILL OF MATERIALS
4	COMPONENTS

TITLE: VERT-NON-REINFORCED MULLION ELEVATIONS, NOTES, & DP CHART

PREPARED BY: BUILDING DROPS
398 E. DANIA BEACH BLVD.,
DANIA BEACH, FL 33304
PH: (954) 399-8478 FX: (954) 744-4738

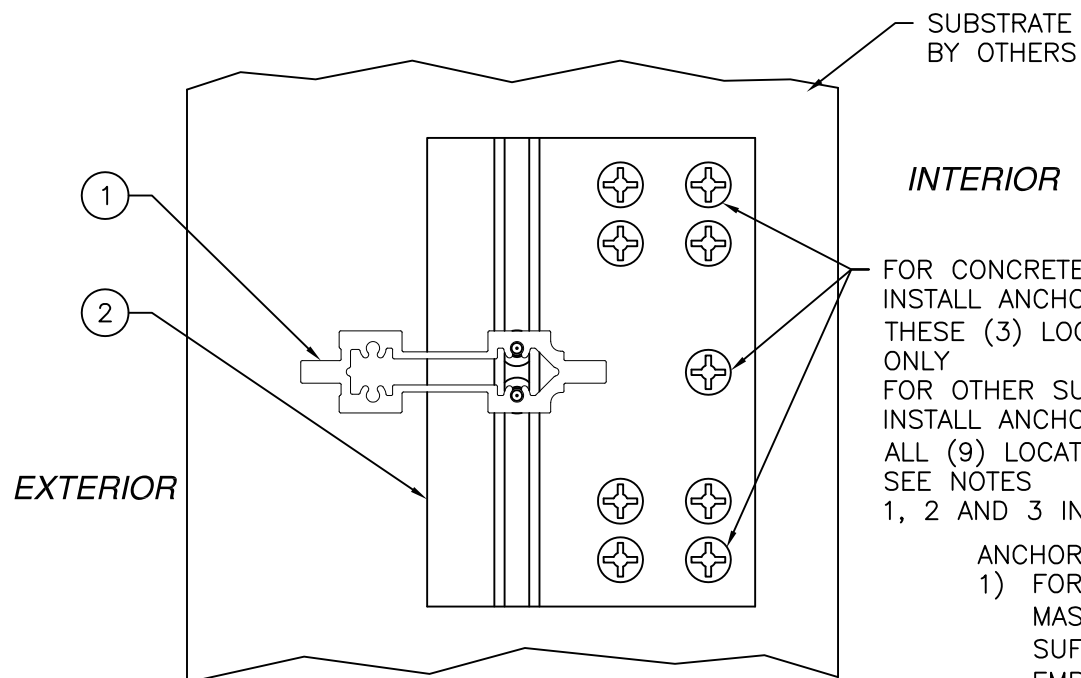
NO.	DESCRIPTION	BY	DATE
		A	LS
B	REV. ANCHOR & DP70	MS	05.06.16

HERMES F. NORERO, P.E.
TEXAS P.E. NO. 118471
398 E. DANIA BEACH BLVD., STE. 338
DANIA BEACH, FL 33304
TBP# FRM# 13734

DATE: 03.12.14
DWN BY: SSM
CHK BY: HFN
SCALE: NTS

DWG #: **SCV009**
SHEET: **1 OF 4**

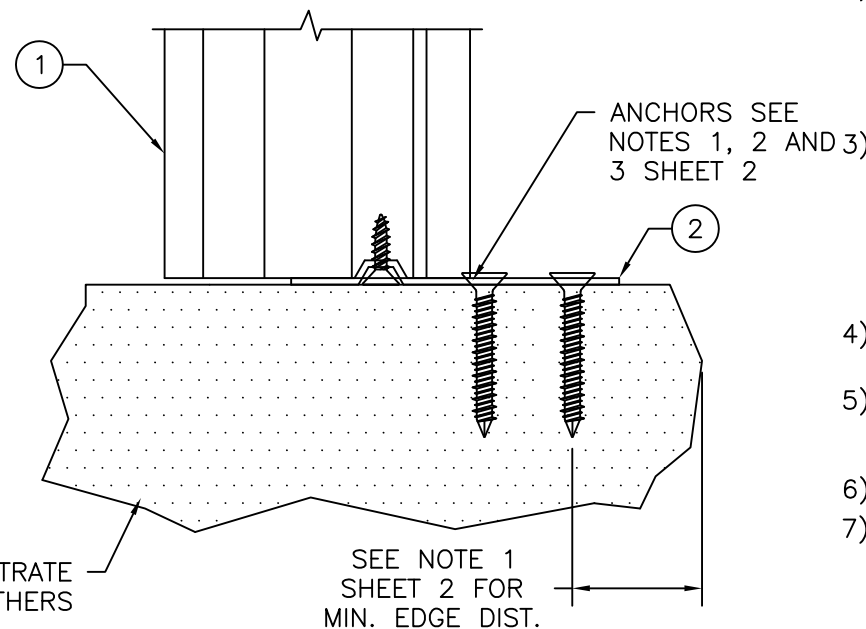
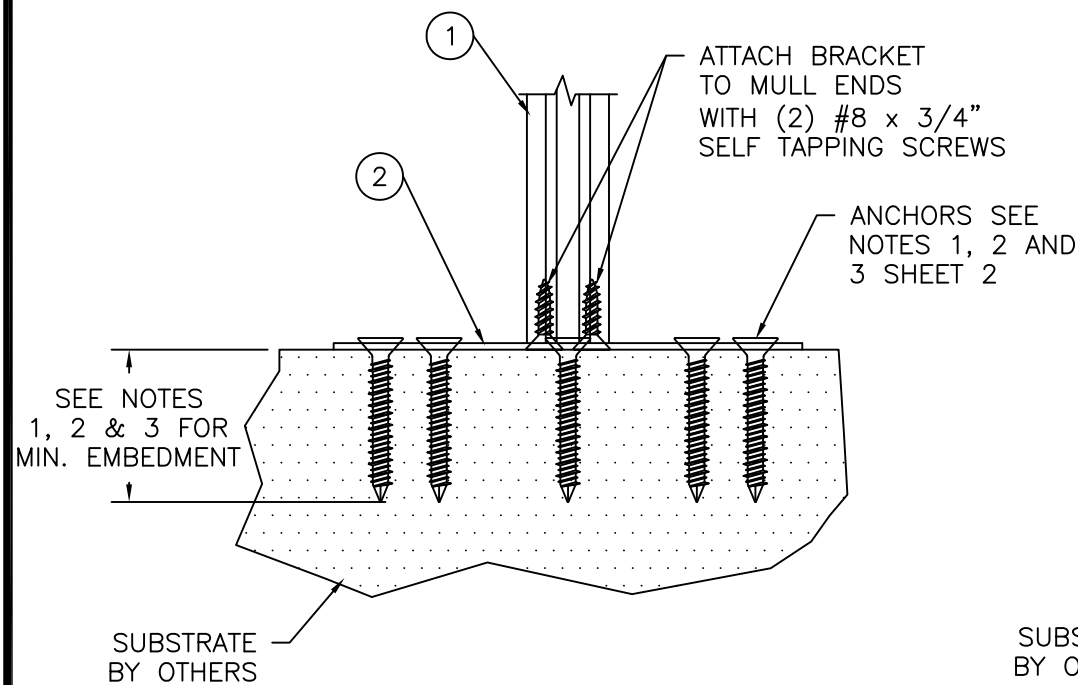
PARTS LIST				
NO.	PART NUMBER	DESCRIPTION	MANUFACTURER	MATERIAL
1	10300085	ALUMINUM VERTICAL MULLION	DECEUNINCK	ALUMINUM 6005-T5
2	10203000	15GA. STEEL MULLION BRACKET	DECEUNINCK	GALVANIZED STEEL
3	10300093	MULL CLIP	DECEUNINCK	ALUMINUM 6005-T5



FOR CONCRETE
INSTALL ANCHORS IN
THESE (3) LOCATIONS
ONLY
FOR OTHER SUBSTRATES:
INSTALL ANCHORS IN
ALL (9) LOCATIONS
SEE NOTES
1, 2 AND 3 IN SHEET 2

ANCHORING NOTES:

- 1) FOR ANCHORING MULLION BRACKET OR MULL CLIP INTO MASONRY/CONCRETE USE 3/16" ITW TAPCONS WITH SUFFICIENT LENGTH TO ACHIEVE A 1 3/4" MINIMUM EMBEDMENT INTO SUBSTRATE WITH 2 5/8" MINIMUM EDGE DISTANCE. LOCATE ANCHORS AS SHOWN IN ELEVATIONS AND INSTALLATION DETAILS.
- 2) FOR ANCHORING MULLION BRACKET OR MULL CLIP INTO WOOD FRAMING OR 2X BUCK USE #10 WOOD SCREW WITH SUFFICIENT LENGTH TO ACHIEVE A 1 3/8" MINIMUM EMBEDMENT INTO SUBSTRATE. LOCATE ANCHORS AS SHOWN IN ELEVATIONS AND INSTALLATION DETAILS.
- 3) FOR ANCHORING MULLION BRACKET OR MULL CLIP INTO METAL FRAMING USE #10 TEK SELF TAPPING SCREWS WITH SUFFICIENT LENGTH TO ACHIEVE A MINIMUM EMBEDMENT OF THREE THREADS PAST SUBSTRATE. LOCATE ANCHORS AS SHOWN IN ELEVATIONS AND INSTALLATION DETAILS.



STEEL MULLION BRACKET 10203000
INSTALLATION DETAILS
SILL AND HEAD TYP.

- 4) FOR WINDOW UNIT ANCHORING TO VERTICAL MULLION SEE INDIVIDUAL WINDOW APPROVAL INSTALLATION INSTRUCTIONS.
- 5) FOR WINDOW UNIT ANCHORING SCHEDULE TO SUBSTRATE REFER TO INDIVIDUAL WINDOW APPROVAL INSTALLATION INSTRUCTIONS.
- 6) ALL FASTENERS TO BE CORROSION RESISTANT.
- 7) INSTALLATION ANCHORS SHALL BE INSTALLED IN ACCORDANCE WITH ANCHOR MANUFACTURER'S INSTALLATION INSTRUCTIONS, AND ANCHORS SHALL NOT BE USED IN SUBSTRATES WITH STRENGTHS LESS THAN THE MINIMUM STRENGTH SPECIFIED BELOW:
 - A. WOOD- MINIMUM SPECIFIC GRAVITY OF G=0.42
 - B. CONCRETE- MINIMUM COMPRESSIVE STRENGTH OF 2,000 PSI.
 - C. MASONRY- STRENGTH CONFORMANCE TO ASTM C-90, GRADE N, TYPE 1 (OR GREATER).
 - D. STEEL-MIN. 16 GA. TENSILE YIELD STRENGTH OF 33 KSI
 - E. ALUMINUM-MIN. 0.125" THICK, 6063-T5 (f'y=16000 PSI)

TITLE: VERT-NON-REINFORCED
MULLION
INSTALLATION DETAILS &
BILL OF MATERIALS

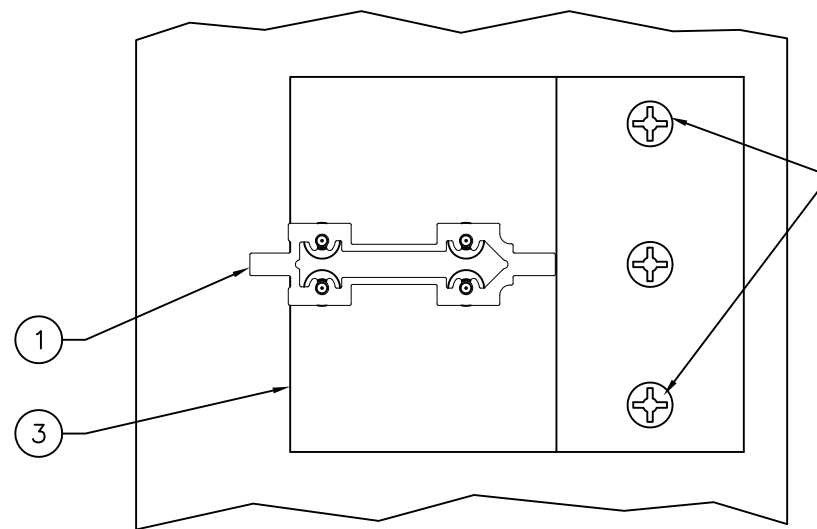
PREPARED BY:
BUILDING DROPS
398 E. DANIA BEACH BLVD.,
DANIA BEACH, FL 33304
PH: (954) 399-8478 FX: (954) 744-4738

REVISIONS		BY	DATE
NO.	DESCRIPTION	LS	12.10.15
A	CHANGE OF P.E.	MS	05.06.16
B	REV. ANCHOR & DP70		

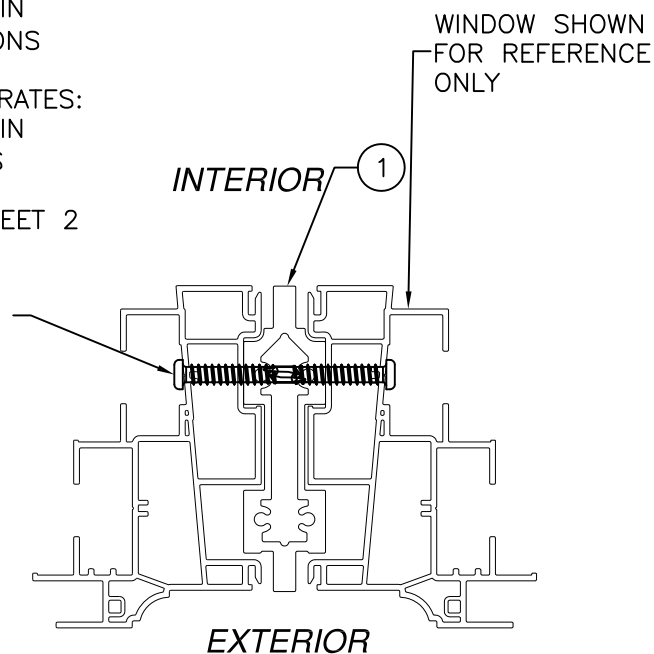
HERMES F. NORERO, P.E.
TEXAS P.E. NO. 118471
398 E. DANIA BEACH BLVD., STE. 338
DANIA BEACH, FL 33304
TBPE FRM# 13734

DATE: 03.12.14
DWN BY: SSM
CHK BY: HFN
SCALE: NTS

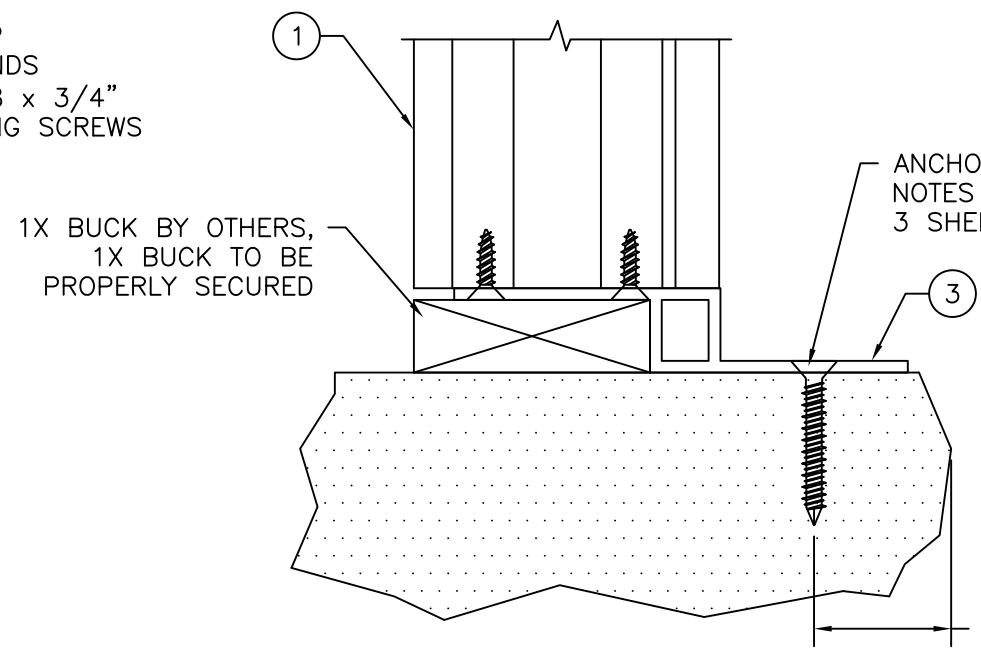
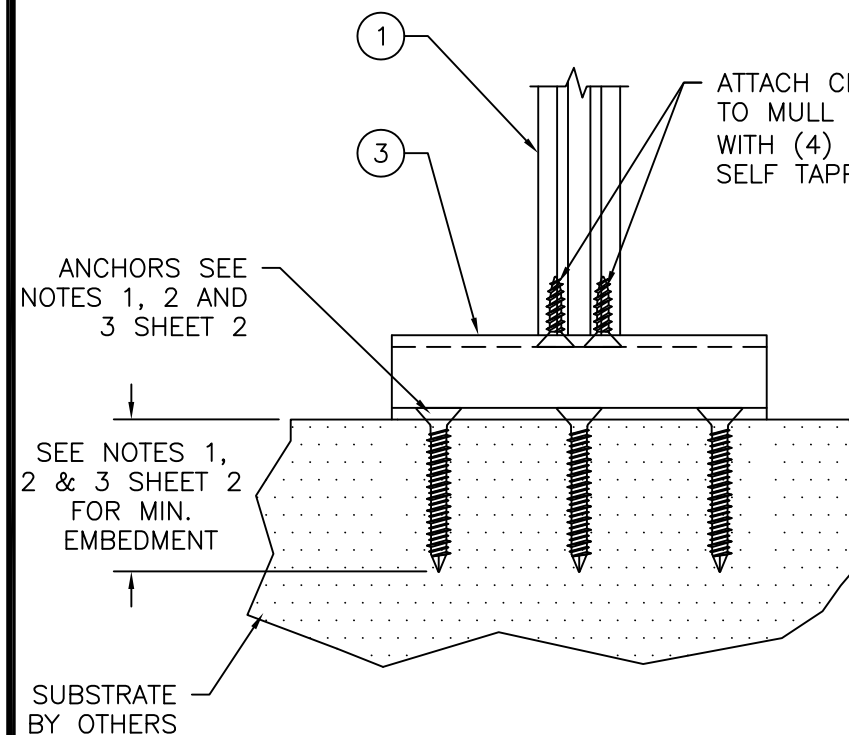
DWG #: **SCV009**
SHEET: **2 OF 4**



FOR CONCRETE:
INSTALL ANCHORS IN
THESE (2) LOCATIONS
ONLY
FOR OTHER SUBSTRATES:
INSTALL ANCHORS IN
ALL (3) LOCATIONS
SEE NOTES
1, 2 AND 3 IN SHEET 2



WINDOW TO MULLION INSTALLATION DETAIL



**MULL CLIP 10300093
INSTALLATION DETAILS
SILL AND HEAD TYP.**

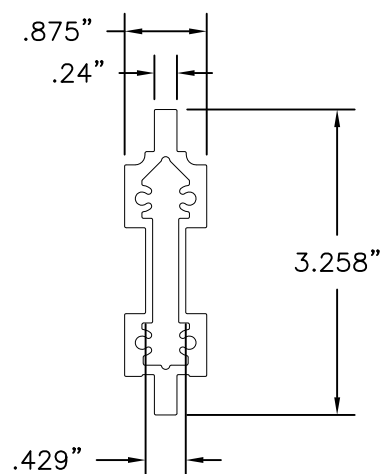
TITLE: VERT-NON-REINFORCED
MULLION
INSTALLATION DETAILS
PREPARED BY:
BUILDING DROPS
398 E. DANIA BEACH BLVD.,
DANIA BEACH, FL 33304
PH: (954) 399-8478 FX: (954) 744-4738

REVISIONS		NO.	DESCRIPTION	BY	DATE
A	CHANGE OF P.E.	LS	12.10.15		
B	REV. ANCHOR & DP70	MS	05.06.16		

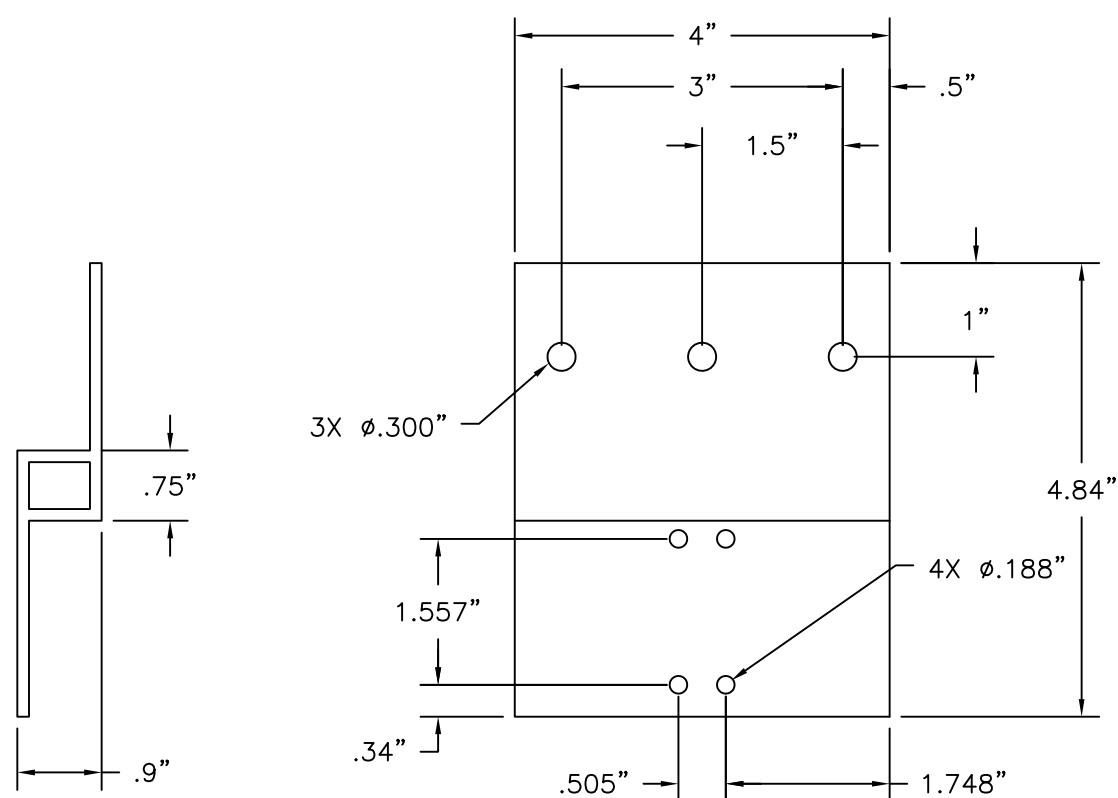
HERMES F. NORERO, P.E.
TEXAS P.E. NO. 118471
398 E. DANIA BEACH BLVD., STE. 338
DANIA BEACH, FL 33304
TBPE FRM# 13734

DATE: 03.12.14
DWN BY: SSM
CHK BY: HFN
SCALE: NTS

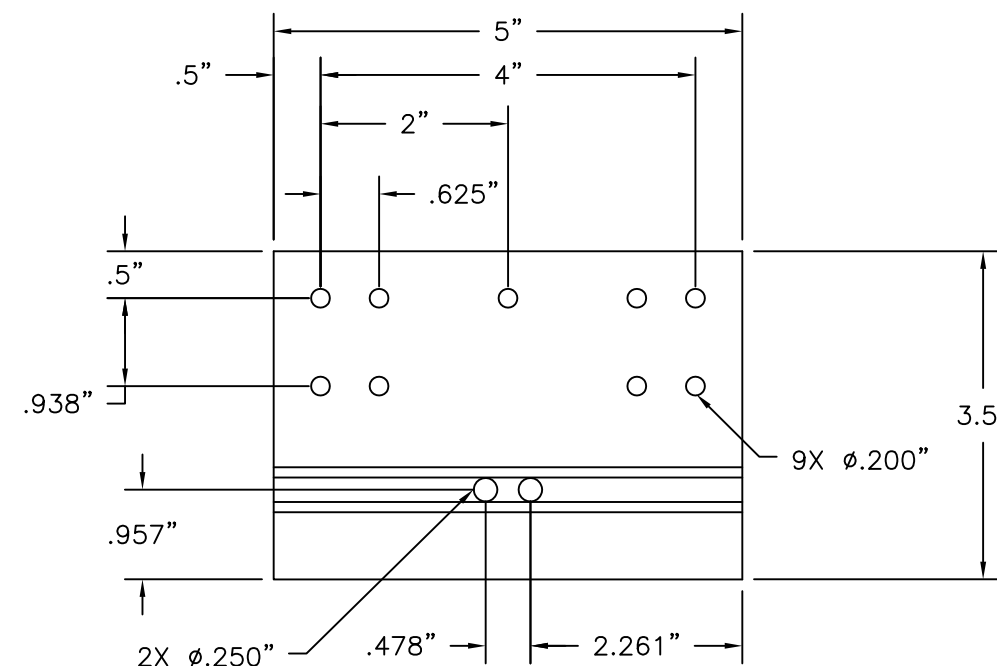
DWG #:
SCV009
SHEET: 3 OF 4



① **10300085 ALUMINUM VERTICAL MULLION**
ALUMINUM 6005-T5 .075" THICK MINIMUM



③ **10300093 MULL CLIP**
ALUMINUM 6005-T5 .125" THICK



② **10203000 STEEL MULLION BRACKET**
15GA. GALVANIZED STEEL

TITLE: VERT-NON-REINFORCED
MULLION
COMPONENTS

PREPARED BY:
BUILDING DROPS
398 E. DANIA BEACH BLVD.,
DANIA BEACH, FL 33304
PH: (954) 399-8478 FX: (954) 744-4738

REVISIONS

NO.	DESCRIPTION	BY	DATE
A	CHANGE OF P.E.	LS	12.10.15
B	REV. ANCHOR & DP70	MS	05.06.16

HERMES F. NORERO, P.E.
TEXAS P.E. NO. 118471
398 E. DANIA BEACH BLVD., STE. 338
DANIA BEACH, FL 33304
TBPE FRM# 13734

DATE:	03.12.14
DWN BY:	SSM
CHK BY:	HFN
SCALE:	NTS

DWG #:
SCV009
SHEET: **4 OF 4**